

Stroke: 50mm
 Max flow rate: 5500 L/h
 Motors: 2,2 - 3 - 4 - 5,5 - 7,5 kW



**Plunger
 Metering Pump
 Positive Return**

API 675

LP pump is the largest pump of the "L" series and is the fourth of the four sizes: LY-LK-LN-LP. The stroke adjustment is based on OBL's unique design.

CONSTRUCTION CHARACTERISTICS

- OBL's metering pumps are used in several industrial plants. The "L" series ranges from the smallest capacity, 400 cc/h, to the largest, 11.000 L/h.
- All models can be built as multiple units with different sized heads.
- Each pumphead can have a different stroke rate since each has its own reduction gear.
- Power transmission through multiple units is easily achieved by a common motor-speed shaft, so the torque is lower than after the reduction gears.
- Positive displacement mechanism with mechanical return of the plunger, based on OBL's unique design.
- Smooth flowrate adjustment by control knob, either with pump in motion or stationary.
- 1% repeatability of flowrate within 10% and 100% of maximum capacity.
- Low NPSH requirement: as low as 1,5m in recommended installation conditions.

TECHNICAL DATA

TYPE	STROKES/m	FLOW RATE L/h	MAX PRESSURE BAR INSTALL. POWER kW.						CONNECTIONS			
			AISI 316L			PVC			UNI		ANSI	
			2,2	3	4	2,2	3	4	A	P	A	P
LP40	68	230	70	80	90	-	-	-	20	-	3/4"	-
	80	275	65	80	90	-	-	-	-	-	-	-
	97	340	55	70	80	-	-	-	-	-	-	-
	118	420	50	65	80	-	-	-	-	-	-	-
LP50	68	380	45	55	65	10	-	-	25	25	1"	1"
	80	445	40	50	60	-	-	-	-	-	-	-
	97	540	35	45	55	-	-	-	-	-	-	-
	118	650	28	36	45	-	-	-	-	-	-	-
LP65	68	650	28	36	40	10	-	-	40	40	1"	2"
	80	750	25	32	40	-	-	-	-	-	1/2"	2"
	97	900	22	28	35	-	-	-	-	-	-	-
	118	1100	17	22	27	-	-	-	-	-	-	-
LP80	68	950	20	26	27	10	-	-	40	40	1"	2"
	80	1100	17	22	27	-	-	-	-	-	1/2"	2"
	97	1380	14	18	22	-	-	-	-	-	-	-
	118	1650	11	14	17	-	-	-	-	-	-	-
LP100	68	1500	12	15	15	10	10	-	40	40	1"	2"
	80	1800	10	13	15	10	10	-	-	-	1/2"	2"
	97	2150	8	10	12	8	10	-	-	-	-	-
	118	2700	7	9	11	7	9	-	-	-	-	-
LP120	68	2100	8	10	10	8	10	10	50	50	2"	2"
	80	2500	7	9	10	7	9	10	-	-	-	-
	97	3200	5,5	7	9	5,5	7	9	-	-	-	-
	118	3800	5	6,5	8	5	6,5	8	-	-	-	-
LP158	56	3000	-	-	6	-	-	6	50	50	2"	2"
	68	3700	-	-	6	-	-	6	-	-	-	-
	80	4500	-	-	6	-	-	6	-	-	-	-
	97	5500	-	-	5	-	-	5	-	-	-	-
DOUBLE - ACTING LP120 ADE	56	3300	-	10	11	-	-	-	50	50	2"	2"
	68	4000	-	9	11	-	-	-	-	-	-	-
	80	4800	-	8	10	-	-	-	-	-	-	-
	97	6000	-	7	9	-	-	-	-	-	-	-
DOUBLE - ACTING LP135 ADE	56	4200	-	-	8	-	-	-	65	65	2"	2"
	68	5300	-	-	8	-	-	-	-	-	1/2"	1/2"
	80	6500	-	-	8	-	-	-	-	-	-	-
	97	8000	-	-	7	-	-	-	-	-	-	-
DOUBLE - ACTING LP160 ADE	56	6000	-	-	6	-	-	-	65	65	2"	2"
	68	7500	-	-	6	-	-	-	-	-	1/2"	1/2"
	80	9000	-	-	6	-	-	-	-	-	-	-
	97	11000	-	-	5	-	-	-	-	-	-	-

PUMP HEADS

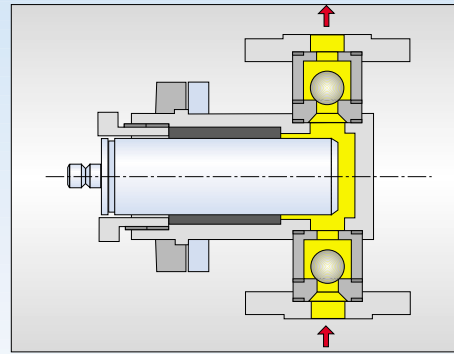
The standard construction, up to 420 L/h, has duplex ball valves; higher flowrates have single valves.

- Materials of construction for wetted parts are:

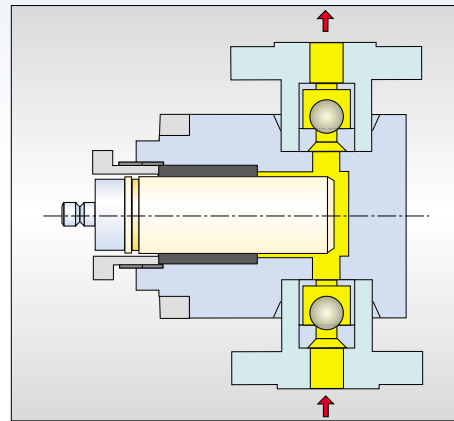
- **Construction A:** AISI 316L
- **Construction P:** PVC-Ceramic - PTFE

Pumps in other materials such as Hastelloy, other alloys, PVDF etc., can be supplied on demand.

- Plunger packing is of reinforced Teflon chevron rings.
- Suction and discharge connections are flanged.
- **Max. temperature of handled liquid:**
 - with standard stainless steel heads: 120 °C
 - with special stainless steel heads: 300 °C
 - with stainless steel heads and ceramic plunger: 100 °C
 - with PVC head: 40 °C
 - with PVDF head: 70 °C

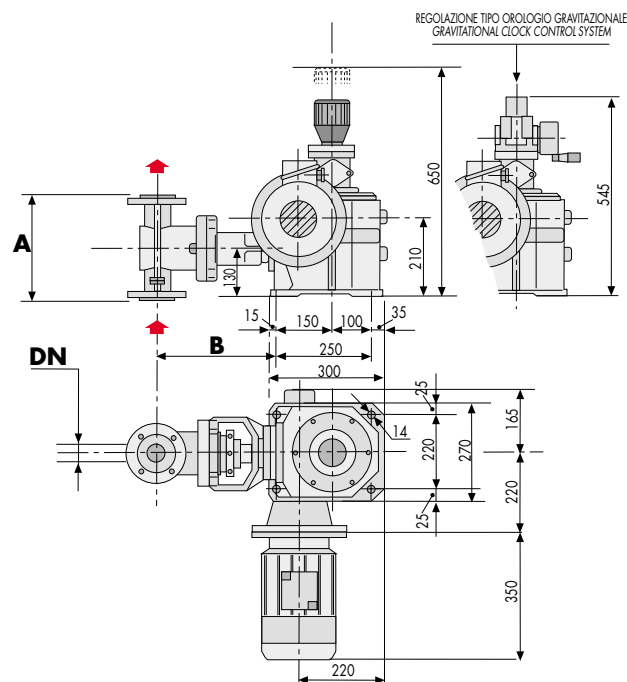


Stainless steel head "A" execution flanged connections.



PVC head, "P" execution, flanged connections.

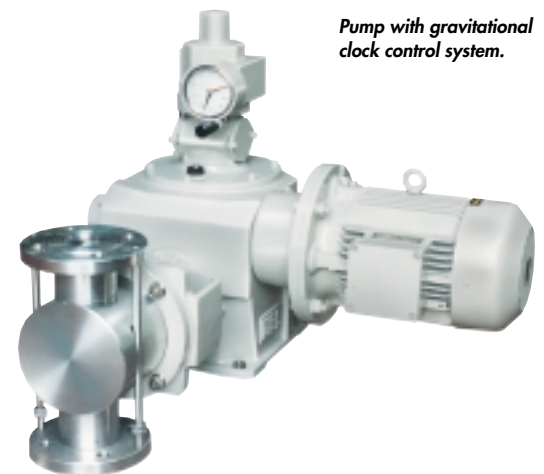
OVERALL DIMENSIONS



MODEL NUMBER

KEY TO SYMBOLS	
PUMP TYPE	
Ø	PLUNGER
A	AISI-316L VERSION
P	PVC VERSION
STROKES PER MINUTE	
Z...	ELECTRIC ACTUATOR 4÷20 mA
W	3÷1.5 PSI PNEUMATIC ACTUATOR
F	UNI-DIN FLANGED CONNECTIONS
FA	ANSI FLANGED CONNECTIONS
...	= 0 ÷ 10 BAR VERSION (NO NEED OF MODEL NO.)
TL	= 10 ÷ 40 BAR
TN	= 40 ÷ 100 BAR

LP 100 A 97 FA Z...



Pump with gravitational clock control system.

TYPE	AISI 316				PVC		DN UNI 2223/29		ANSI B 16.5	
	A	ADV	B	BTL	A	B	AISI: PN40	PVC: PN10	AISI 150RF	PVC: 150RF
LP 40TN	-	226	-	315	-	-	20	-	3/2"	-
LP 50 TN	180	260	255	305	228	240	25	25	1"	1"
LP 65	224	358	255	315	297	245	40	40	1 1/2"	2"
LP 65TL	224	358	-	315	-	-	40	-	1 1/2" 300RF	-
LP 80	250	380	255	305	308	255	40	40	1 1/2"	2"
LP 100	275	-	255	270	334	255	40	40	1 1/2"	2"
LP 120	314	-	280	-	400	280	50	50	2"	2"
LP 158	379	-	280	-	450	340	50	50	2"	2"

MATERIALS OF CONSTRUCTION

PARTS	A	P	AC	ACV	H
LIQUID END	AISI 316L	PVC	AISI 316L	AISI 316L	AISI 316L
PLUNGER	AISI 316L	CERAMIC	CERAMIC	CERAMIC	CERAMIC
PACKING	TEFLON/PTFE	TEFLON/PTFE	TEFLON/PTFE	VULKOLLAN POLYURETHAN	TEFLON/PTFE
VALVE SEAT	AISI 316L	PVC	AISI 316L	AISI 316L	INCOLOY 825
VALVE	AISI 316L	PIREX	AISI 316L	AISI 316L	PIREX
VALVE SEAL	VITON/FPM	VITON/FPM	VITON/FPM	VITON/FPM	VITON/FPM