

High Pressure Version

The plunger metering pumps of the "TS" series are provided with the same positive displacement crank mechanisms as in LY - LK - LN - LP - sizes.



Plunger Metering Pump Positive Return

API 675

PUMP HEADS

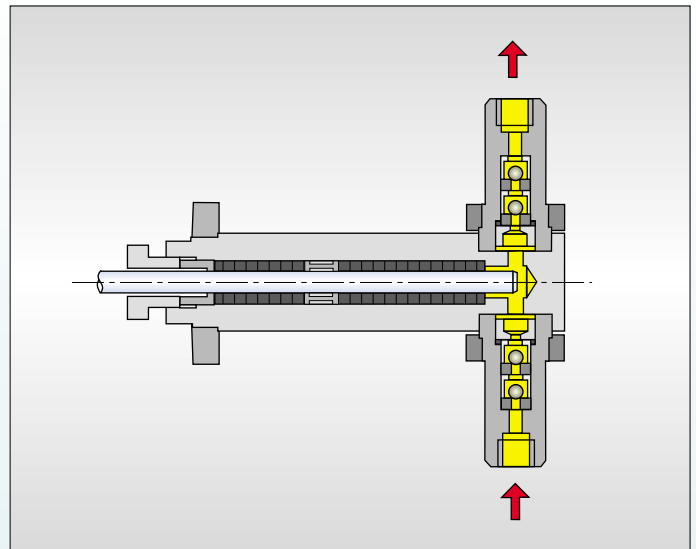
TS pump heads are designed for extremely severe, high pressure applications, and have the following features:

- Extra length packing.
- Roll-finished plunger surface.
- Valve assemblies locked with ringnuts.
- Lapped valve seats.
- Self-centering plunger.
- PTFE/KEVLAR braided packing.

These construction features, coupled with substantial head construction, ensure safe and accurate metering up to 400 bar.

TECHNICAL DATA

| PUMP | TYPE | STROKES/m | FLOW RATE L/h | MAX PRESS. BAR | kW | CONNECTIONS | | | | |
|------|------|-----------|---------------|----------------|------|--------------------------------|------------------|-----|-----|------|
| | | | | | | THREADED | FLANGED | | | |
| | LY | 50 | 0,8 | 300 | 0,37 | SUCTION AND DISCHARGE 1/2" NPT | DISCHARGE | | | |
| | | 70 | 1,1 | | | | | | | |
| | | 95 | 1,5 | | | | | | | |
| | 10 | 36 | 2 | 300 | 0,37 | | | | | |
| | | 50 | 3 | | | | | | | |
| | | 70 | 4 | | | | | | | |
| | | 95 | 5,5 | | | | | | | |
| | | 15 | 50 | | | | | 6,5 | 160 | 0,75 |
| | | | 70 | | | | | 10 | 150 | |
| 95 | 13 | | 140 | | | | | | | |
| | LK | 40 | 2,2 | 400 | 1,5 | SUCTION | ANSI 1/2" 150 RF | | | |
| | | 60 | 4,2 | 400 | | | | | | |
| | | 80 | 7 | 400 | | | | | | |
| | | 100 | 10 | 350 | | | | | | |
| | 15 | 40 | 10 | 250 | 0,75 | | | | | |
| | | 60 | 15 | 230 | | | | | | |
| | | 80 | 20 | 220 | | | | | | |
| | | 20 | 50 | 25 | | | | 160 | | |
| | 20 | 60 | 30 | 140 | 4 | | | | | |
| | | 80 | 42 | 120 | | | | | | |
| | | LN | 40 | 18 | | | | 400 | 1,5 | |
| | | | 47 | 21,5 | | | | 375 | | |
| 56 | | | 26 | 350 | | | | | | |
| 40 | | | 34 | 260 | | | | | | |
| 20 | | 47 | 40 | 250 | | 1,5 | | | | |
| | | 56 | 48 | 230 | | | | | | |
| | 68 | 58 | 200 | | | | | | | |
| | 80 | 68 | 180 | | | | | | | |
| 25 | 56 | 75 | 160 | 4 | | | | | | |
| | 68 | 90 | 140 | | | | | | | |
| | 80 | 105 | 115 | | | | | | | |
| | LP | 47 | 38 | | 400 | 1,5 | | | | |
| | | 56 | 48 | | 400 | | | | | |
| | | 68 | 58 | | 370 | | | | | |
| | | 80 | 70 | | 350 | | | | | |
| | 25 | 56 | 75 | | 250 | 4 | | | | |
| 68 | | 90 | 230 | | | | | | | |
| 80 | | 105 | 220 | | | | | | | |
| 30 | | 56 | 100 | 170 | 4 | | | | | |
| | 68 | 120 | 165 | | | | | | | |
| | 80 | 150 | 160 | | | | | | | |
| | 97 | 180 | 140 | | | | | | | |



Stainless steel high pressure head, threaded connections.

MATERIALS OF CONSTRUCTION

| PART | A | AC |
|-------------|-------------------|---------------------|
| LIQUID END | AISI 316L | AISI 316L |
| PLUNGER | SAF 2205 | AISI 316L + CERAMIC |
| PACKING | PTFE+KEVLAR BRAID | PTFE+KEVLAR BRAID |
| VALVE SEATS | SAF 2205 | SAF 2205 |
| VALVES | AISI 316 | AISI 316 |
| VALVE SEAL | VITON/FPM | VITON/FPM |